

**M12 MALE 90° SHIELDED**

PVC 5X0.34 shielded GRAY, 5m

Male 90°

M12, 5-pole

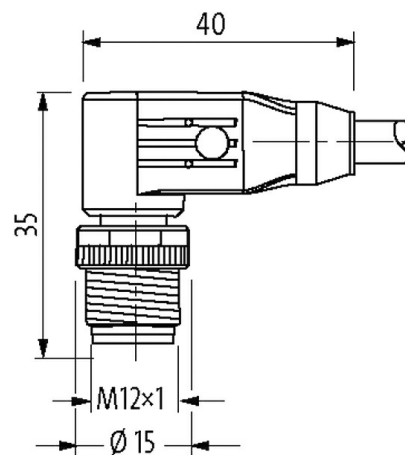
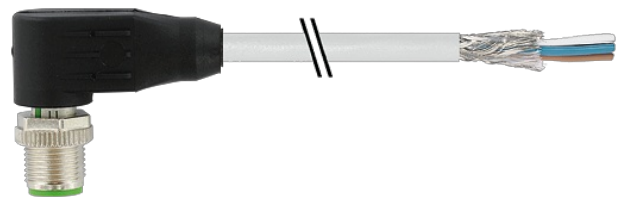
shielded

A-coded

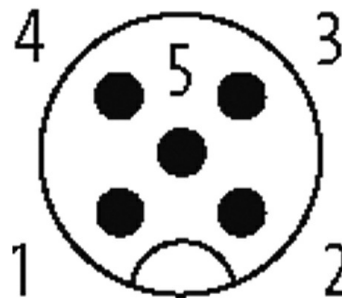
Plastic housings with good resistance against chemicals and oils.

The resistance to aggressive media should be individually tested for your application. Further details on request.

Further cable lengths on request.

**Illustration**

Male



Product may differ from Image

**Approvals**



\* only for products with UL/CSA approved cable

cCSAus

EAC

**Form**

Form 13161

**Cables**

|                            |                            |
|----------------------------|----------------------------|
| Cable number               | 348                        |
| No./diameter of wires      | 5 x 0.34 mm <sup>2</sup>   |
| Wire isolation             | PVC (br, wh, bl, bk, gnye) |
| Jacket Color               | gray                       |
| Material (jacket)          | PVC                        |
| Outer Ø                    | 5.9 mm ±5%                 |
| Bend radius (fixed)        | 10x outer Ø                |
| Bend radius (moving)       | 15x outer Ø                |
| Temperature range (fixed)  | -30...+80 °C               |
| Temperature range (mobile) | -5...+70 °C                |
| Shield                     | yes                        |
| Color (jacket)             | gray                       |
| Approval (cable)           | CE conform                 |

**Technical Data**

|                                    |  |
|------------------------------------|--|
| Operating voltage                  | max. 60 V AC/DC  |
| Operating voltage (only UL listed) | max. 30 V AC/DC  |
| Operating current per contact      | max. 4 A   |
| Rated surge voltage                | 1.5 kV   |
| Material group                     | IEC 60664-1, category I  |
| Coding                             | A-coded  |
| Locking of ports                   | Screw thread (M12x1 mm) recommended torque 0.6 Nm, self-securing |
| Compression gland                  | M12 (SW13)   |
| Protection                         | IP65, IP66K, IP67 inserted and tightened (EN 60529)              |
| Locking material                   | Zinc die casting, matte nickel plated                            |
| Material                           | PUR  |

**General data**

|                            |  |
|----------------------------|--|
| Standards                  | DIN EN 61076-2-101 (M12)                 |
| Material (contact)         | Copper alloy                             |
| Material (contact surface) | Au                                       |
| Pollution Degree           | 3  |
| Temperature range          | -25...+85 °C, depending on cable quality |

**Commercial data**

|                       |               |
|-----------------------|---------------|
| country of origin     | CZ            |
| customs tariff number | 85444290      |
| EAN                   | 4048879200530 |
| eClass                | 27279218      |
| Packaging unit        | 1             |